

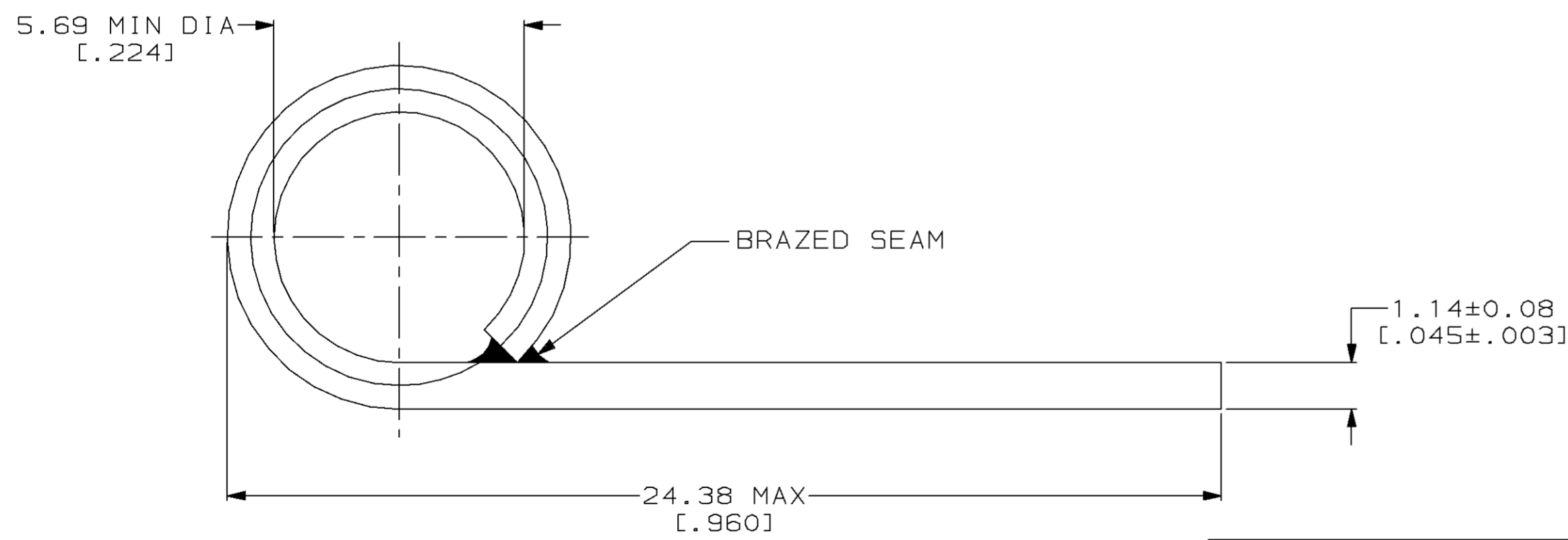
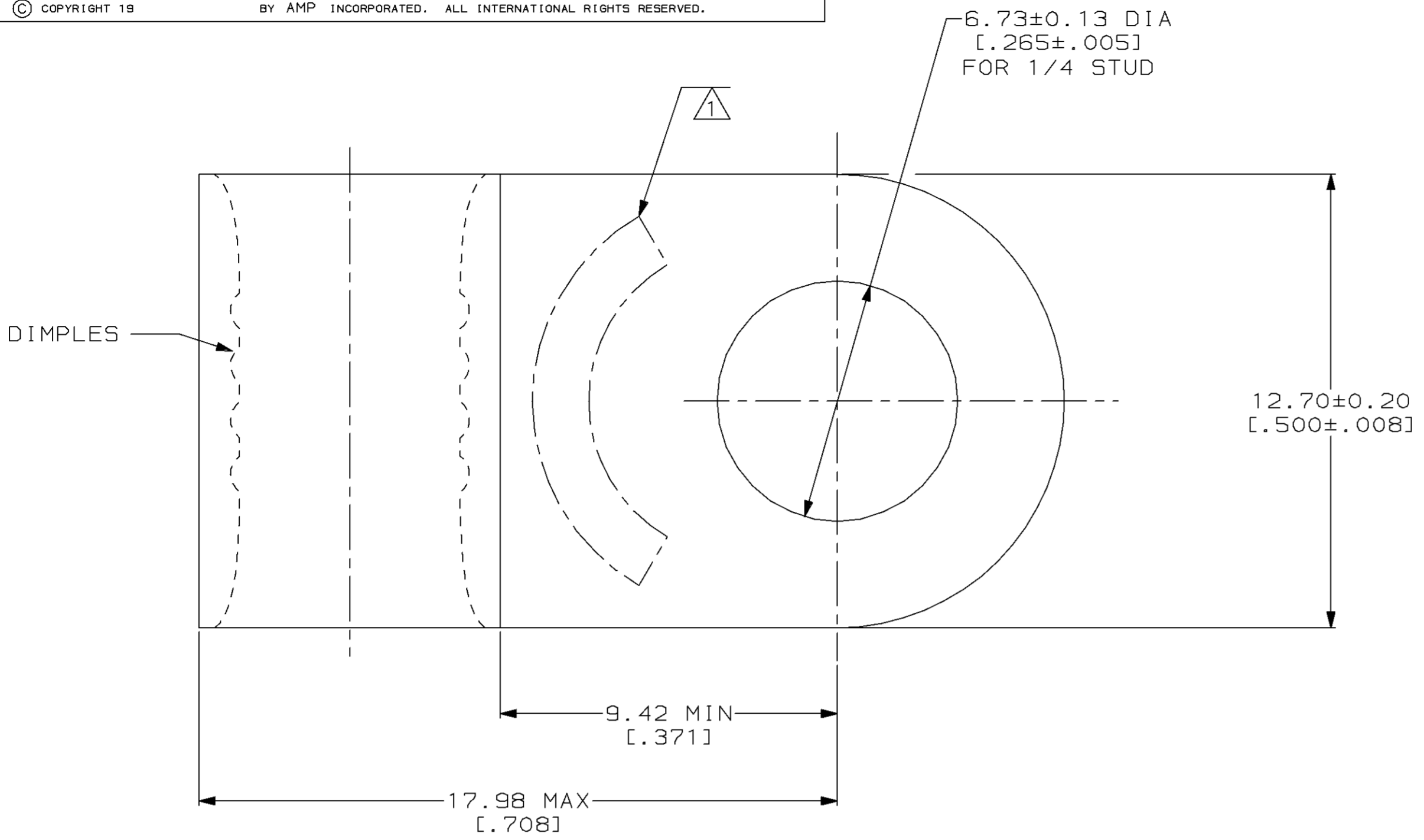
THIS DRAWING IS UNPUBLISHED. RELEASED FOR PUBLICATION, 19 .  
 © COPYRIGHT 19 BY AMP INCORPORATED. ALL INTERNATIONAL RIGHTS RESERVED.

LOC	DIST	P	F	ZONE	LTR	DESCRIPTION	DATE	APPD
G	14				B	REV & REDRAWN PER 0720-0040-93	4-7-93	DA P

**METRIC**  
 DIMENSIONS LISTED IN mm [ INCHES ]

<b>AMP</b> WIRE RANGE	<b>UL</b> E13288 Listed
6 AWG SOLID OR STRANDED	6 AWG STRANDED
<b>SR</b> LR7189 Certified	MILITARY P/N AND CLASS
6 AWG SOLID OR STRANDED	NOT APPLICABLE

① STAMP AMP 6W\* APPROX AS SHOWN



AMP INCORPORATED CUSTOMER SERVICE SYSTEMS		MAX RECOMMENDED OPERATING TEMPERATURE: 170°C MAX	DO NOT SCALE PRINT. UNLESS SPECIFIED DIMENSIONS IN mm [INCHES] TOLERANCES ON: 2 PLC DEC ± - 3 PLC DEC ± - ANGLES ± -	DR 4-7-93 TA BRINKMAN	<b>AMP</b> AMP Incorporated Harrisburg, PA 17105-3608
FOR ADDITIONAL PRODUCT INFORMATION OR COPIES OF DRAWINGS AND TECHNICAL DOCUMENTS	PRODUCT INFORMATION CENTER 1-800-522-6752	VOLTAGE RATING: NOT APPLICABLE	MATERIAL COPPER PER ASTM B-152 ANNEALED	CHK 4-7-93 DA PATTERSON	
FOR APPLICATION TOOLING INFORMATION	TOOLING ASSISTANCE CENTER 1-800-722-1111	WIRE CROSS SECTIONAL AREA RANGE: 10.5-16.8MM <sup>2</sup> [20,800-33,100] CIR MILS SOLID OR STRANDED	FINISH TIN PLATE 0.00254[.000100] MIN THK PER MIL-T-10727	APPD 4-7-93 DE MILLER	NAME TERMINAL, RING TONGUE, FLAG, SOLISTRAND™ <sub>x</sub>
FOR ORDER ENTRY	1-800-526-5142	THIS DRAWING IS A CONTROLLED DOCUMENT FOR AMP INCORPORATED. IT IS SUBJECT TO CHANGE AND THE CONTROLLING ENGINEERING ORGANIZATION SHOULD BE CONTACTED FOR THE LATEST REVISION.		APPD 4-7-93 JL MECKLEY	SIZE ③ 00779
				PRODUCT SPEC -	DRAWING NO ③=321576
				APPLICATION SPEC -	SCALE 8:1
				WEIGHT -	SHEET 1 OF 1